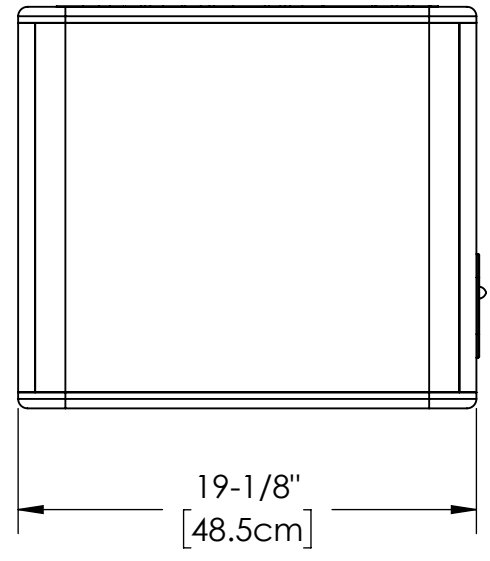
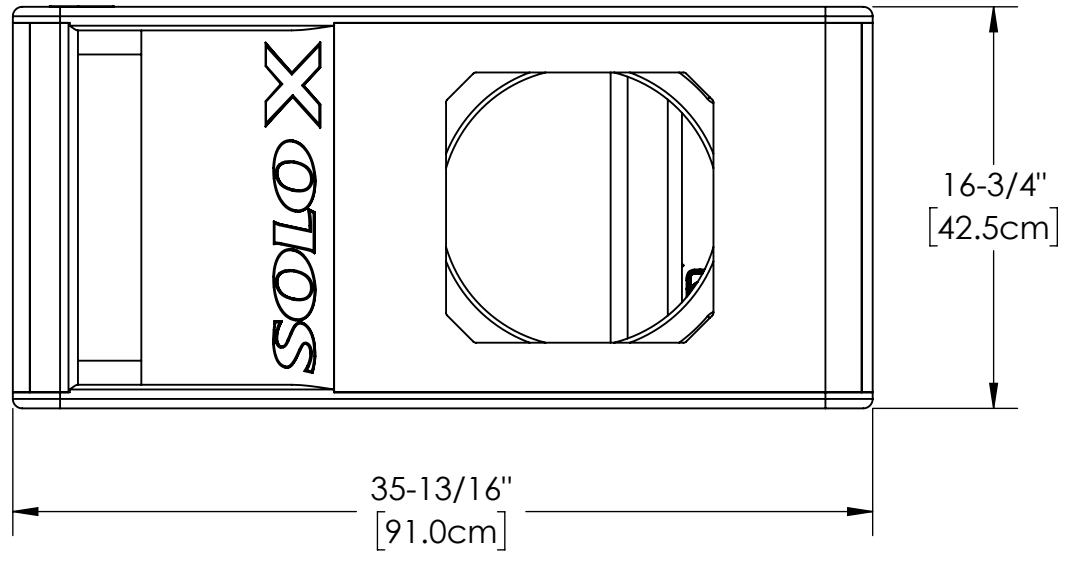
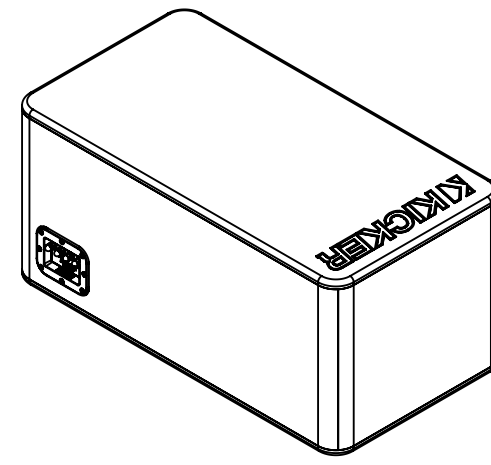
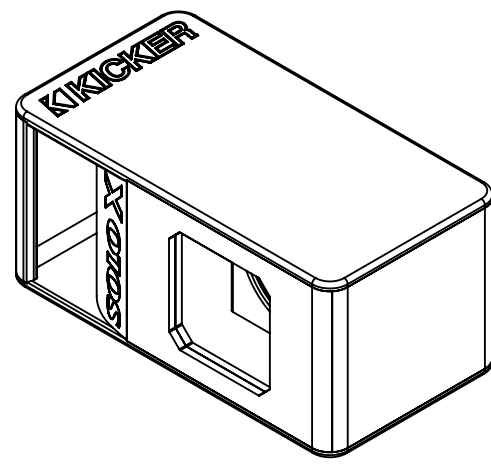
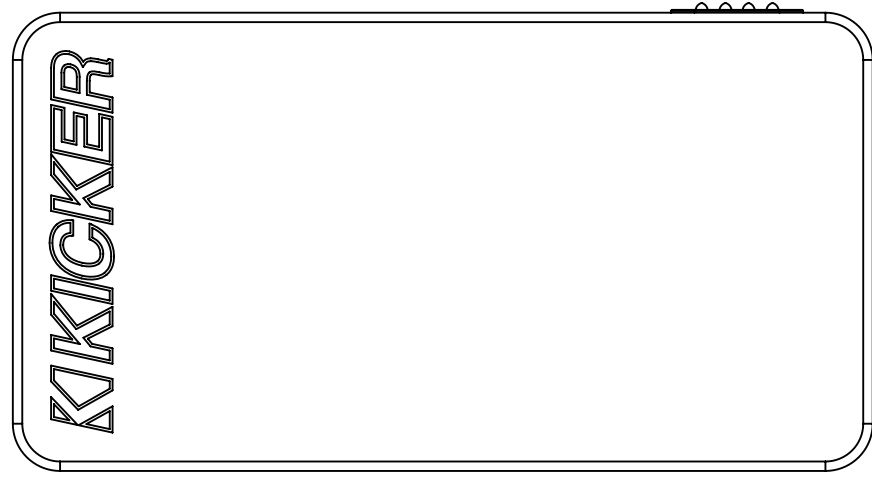


CARTON ART VIEWS/PUBLISHED DIMENSIONS SHEET



Subwoofer	Recommended Mounting Screw Size	Pilot Hole Diameter
49L7X 10"-18"	#12 x 2.5"	1/8"
49L7XS 12"-18"	#14 x 2.5"	9/64"

CUSTOMER SERVICE DIMENSIONS

SD stillwaterdesigns

DESCRIPTION:
12" L7X/L7XS UNLOADED ENCLOSURE

SIZE	DWG. NO.	REV	SHEET
B	49VUL7X12-CSD	C	1/1